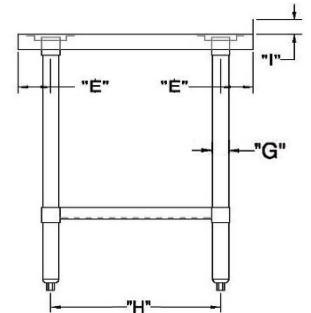
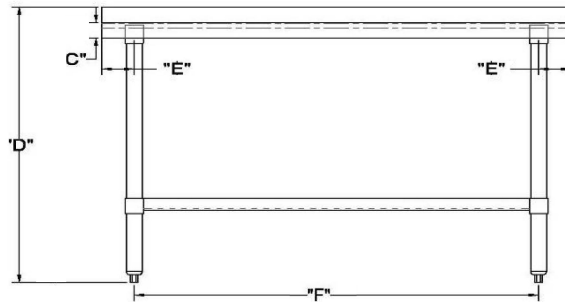
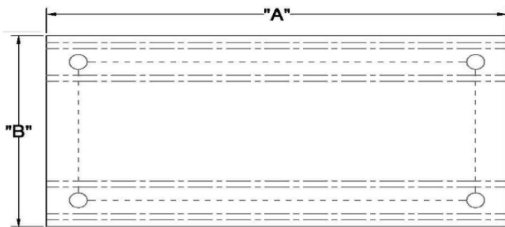


### 18 Gauge Stainless Steel Worktable with Splash Guard



- Made of 16-gauge, 304 stainless steel
- 18-gauge, type 430 stainless steel undershelf adds stability and some much-needed storage space
- 1" Adjustable stainless steel bullet feet for added stability
- A 2" (I) tall backsplash is included to keep your walls clean



ITEM	TABLE LENGTH (A)	TABLE DEPTH (B)	TABLETOP THICKNESS (C)	OVERALL HEIGHT (D)	OVERHANG (E)	Ø 8" ± 0.005" (G)	FRONT-BACK LENGTH (H)	RIGHT-LEFT LENGTH (F)
SWWTS-1836-2R-316	36"	18"	2"	34"	3"5/16'	1"5/8'	17"3/8'	29"3/8'
SWWTS-1848-2R-316	48"	18"	2"	34"	3"5/16'	1"5/8'	17"3/8'	41"3/8'
SWWTS-1860-2R-316	60"	18"	2"	34"	3"5/16'	1"5/8'	17"3/8'	53"3/8'
SWWTS-1872-2R-316	72"	18"	2"	34"	3"5/16'	1"5/8'	17"3/8'	65"3/8'