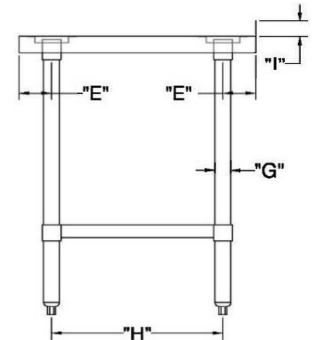
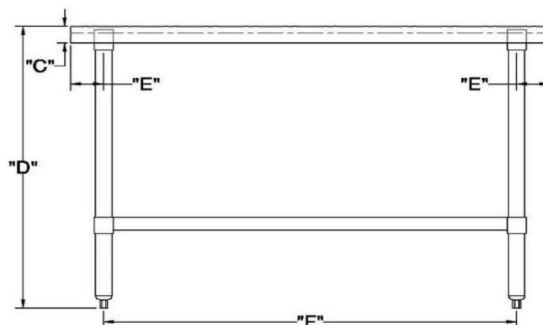
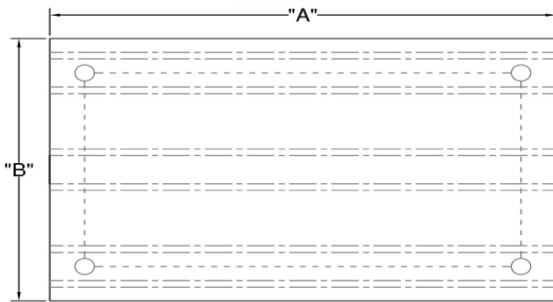


### 18 Gauge Stainless Steel Worktable with Splash Guard



- Made of 18-gauge, 304 stainless steel
- 18-gauge, type 430 stainless steel undershelf adds stability and some much-needed storage space
- 1" Adjustable stainless steel bullet feet for added stability
- A 2" (I) tall backsplash is included to keep your walls clean



ITEM	TABLE LENGTH (A)	TABLE DEPTH (B)	TABLETOP THICKNESS (C)	OVERALL HEIGHT (D)	OVERHANG FROM LEG CTR (E)	LEG WIDTH (G)	FRONT-BACK LENGTH (H)	RIGHT-LEFT LENGTH (F)
SWWTS-3012-2R-318	12"	30"	2"	34"	3"5/16'	1"5/8'	22"1/8'	8"
SWWTS-3015-2R-318	15"	30"	2"	34"	3"5/16'	1"5/8'	22"1/8'	11"
SWWTS-3018-2R-318	18"	30"	2"	34"	3"5/16'	1"5/8'	22"1/8'	11"3/8'
SWWTS-3024-2R-318	24"	30"	2"	34"	3"5/16'	1"5/8'	22"1/8'	17"3/8'
SWWTS-3030-2R-318	30"	30"	2"	34"	3"5/16'	1"5/8'	22"1/8'	23"3/8'
SWWTS-3036-2R-318	36"	30"	2"	34"	3"5/16'	1"5/8'	22"1/8'	29"3/8'
SWWTS-3048-2R-318	48"	30"	2"	34"	3"5/16'	1"5/8'	22"1/8'	41"3/8'
SWWTS-3060-2R-318	60"	30"	2"	34"	3"5/16'	1"5/8'	22"1/8'	53"3/8'
SWWTS-3072-2R-318	72"	30"	2"	34"	3"5/16'	1"5/8'	22"1/8'	65"3/8'